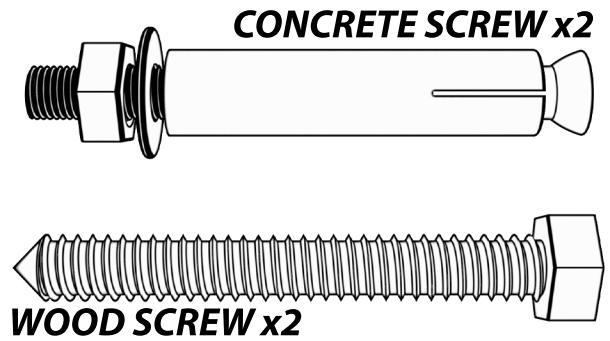
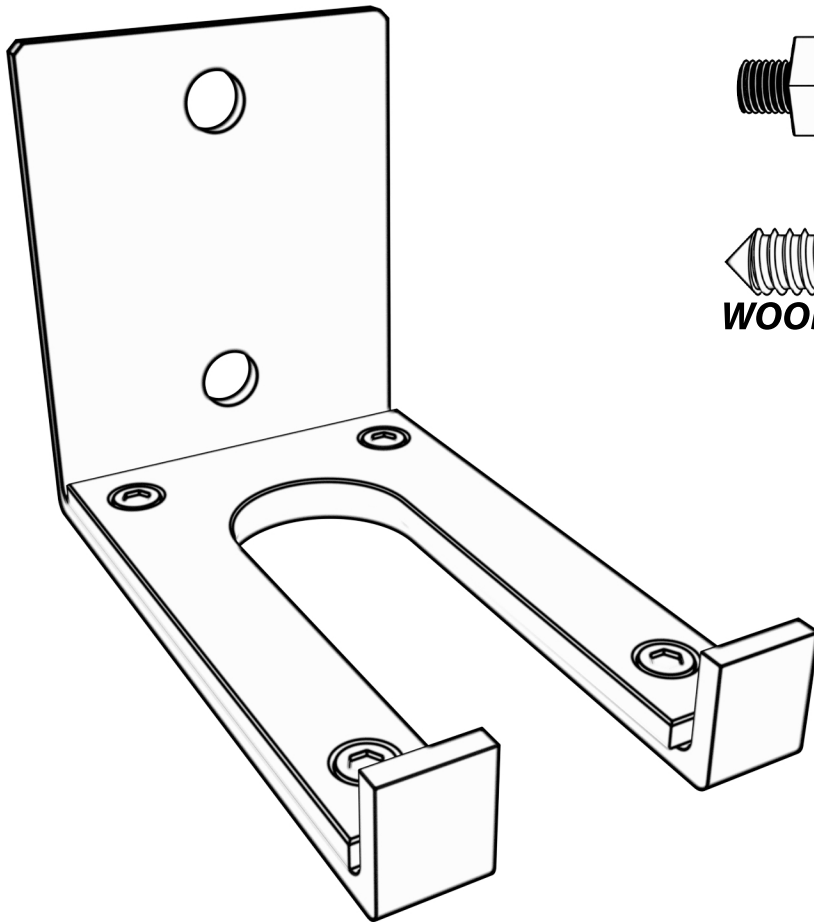
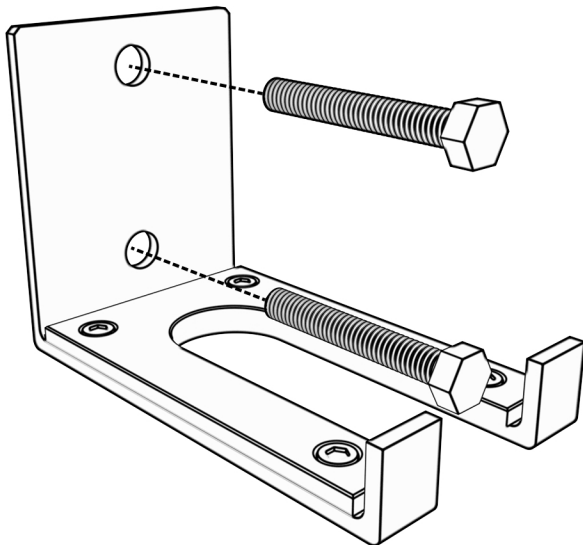


SYNERGEE

INDIAN CLUB RACK

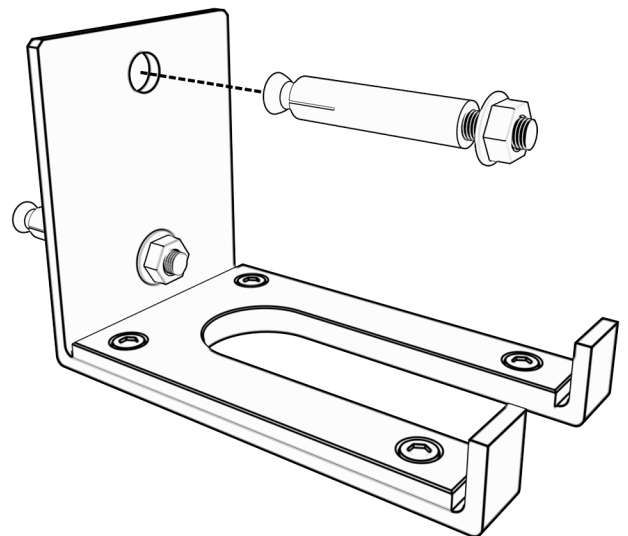


WOOD INSTALLATION



LOCATE WOOD STUD AND FASTEN WOOD SCREWS UNTIL SECURE

CONCRETE INSTALLATION



INSTALL CONCRETE SCREWS INTO PRE-DRILLED 1/2" HOLES IN CONCRETE AND FASTEN NUTS UNTIL SECURE