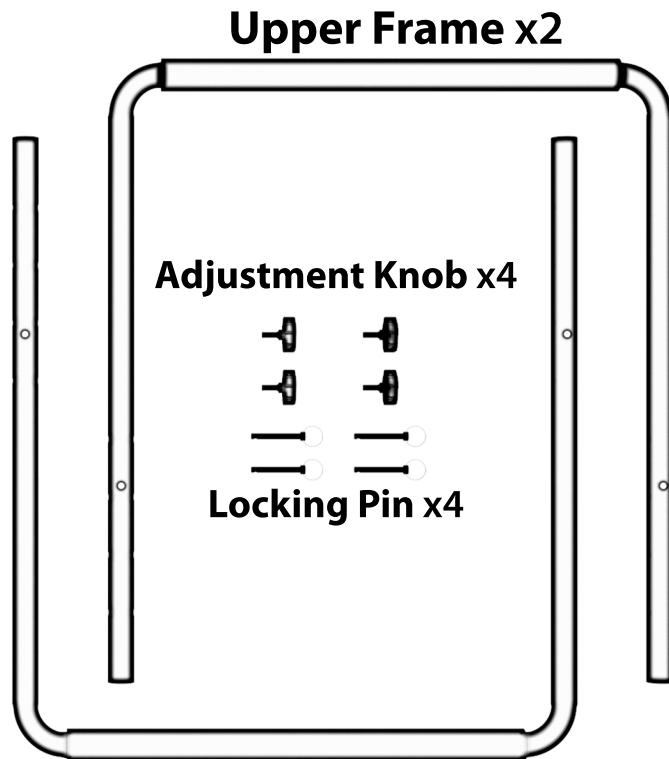
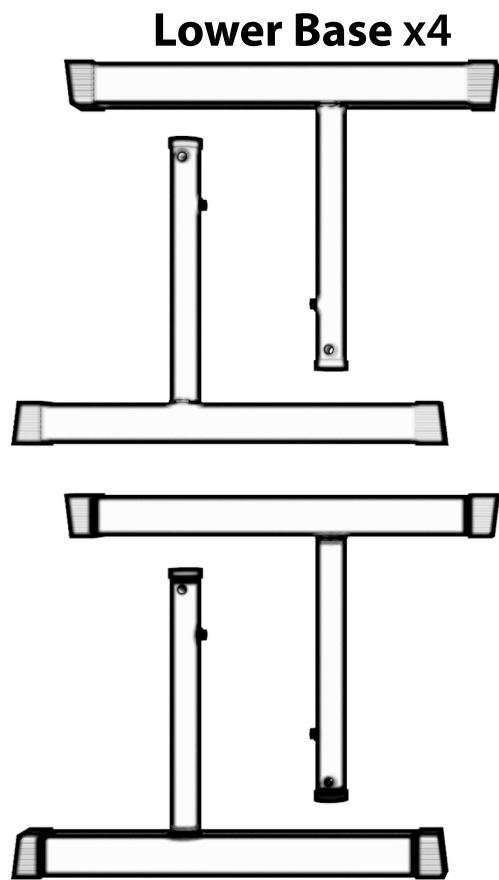
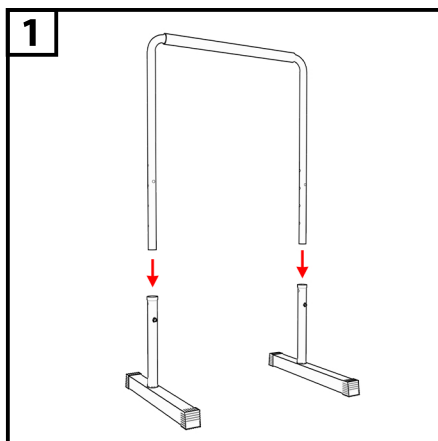


SYNERGEE DIP STATION

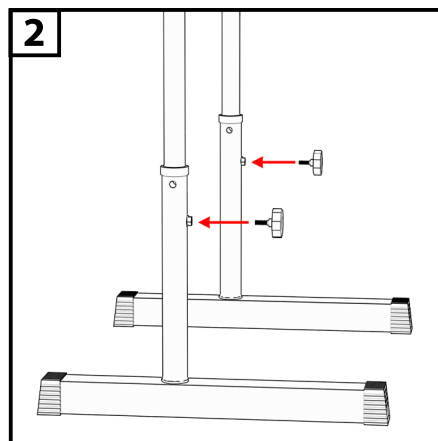


ASSEMBLY INSTRUCTIONS



Installing the frame

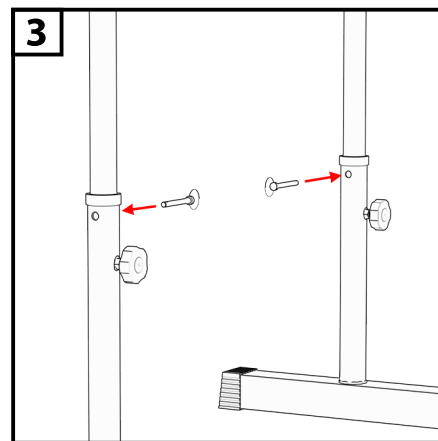
Insert the upper frame into the 2 lower base pieces at desired height.



Installing the knobs

Screw in the adjustment knobs to secure the upper frame in place

TIP: Ensure screws are tight to avoid wobble.



Installing the pins

For added stability, insert the safety pins into the lower base to secure the upper frame.