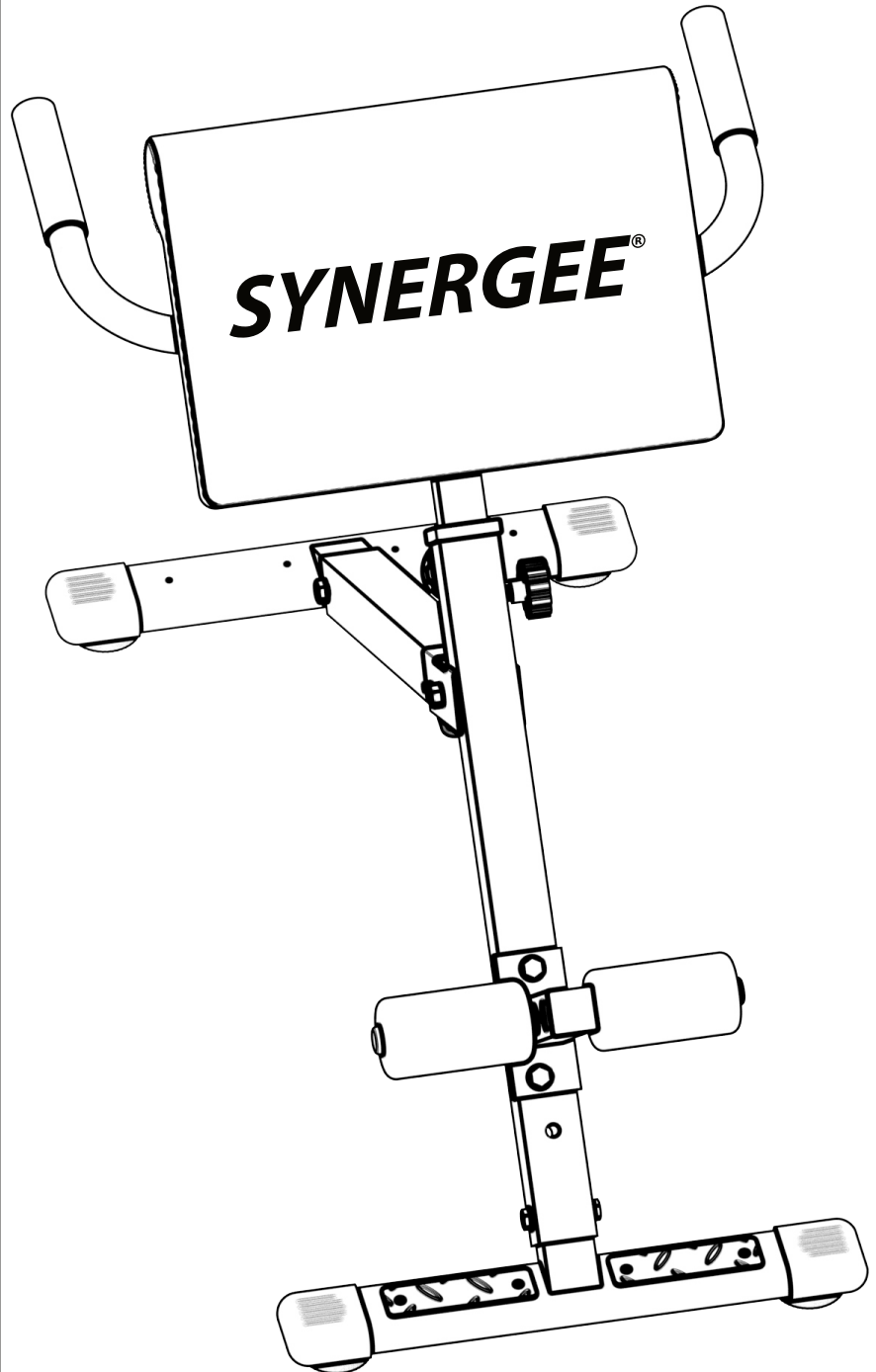


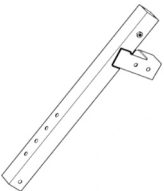
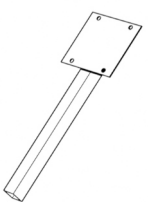
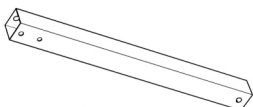


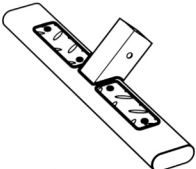
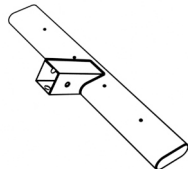
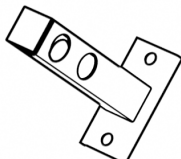
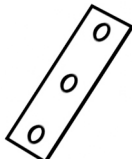

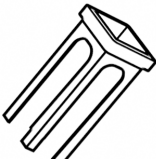



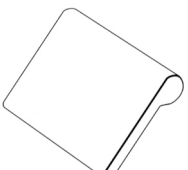



 **SYNERGEE[®]**

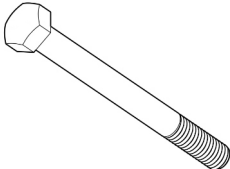
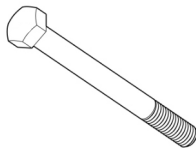

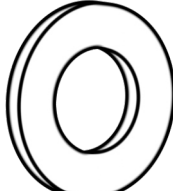
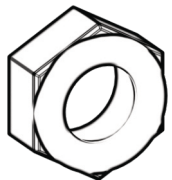
ROMAN CHAIR



PARTS LIST

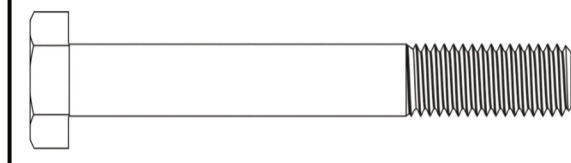
IF ANY PIECES ARE MISSING, PLEASE CONTACT US IMMEDIATELY:
HELLO@SYNERGEEFITNESS.COM OR 1.855.217.7136

1.  QTY x1 MAIN FRAME	2.  QTY x1 UPPER FRAME	3.  QTY x1 LOWER FRAME	4.  QTY x1 RIGHT HANDLE	5.  QTY x1 LEFT HANDLE
6.  QTY x1 FRONT STABILIZER	7.  QTY x1 REAR STABILIZER	8.  QTY x1 FOOT SUPPORT BRACKET	9.  QTY x1 FOOT SUPPORT BACK PLATE	10.  QTY x1 LEG ROLLER BEAM
11.  QTY x1 MIDDLE PLASTIC INSERT	12.  QTY x4 RUBBER FEET	13.  QTY x2 RUBBER HANDLES	14.  QTY x2 FOAM FEET CUSHIONS	15.  QTY x1 FOAM PAD
16.  QTY x1 LARGE KNOB	17.  QTY x1 SMALL KNOB	18.  QTY x1 LOCKING PIN		

A.  QTY x3 M10x70 BOLT	B.  QTY x4 M10x65 BOLT	C.  QTY x6 M10x20 BOLT	D.  QTY x20 M10 WASHER	E.  QTY x7 M10 NUT
--	--	--	---	--

HARDWARE SIZING CHART

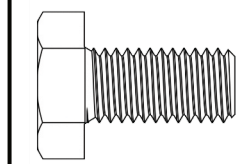
**M10x70
BOLT**



**M10x65
BOLT**



**M10x20
BOLT**

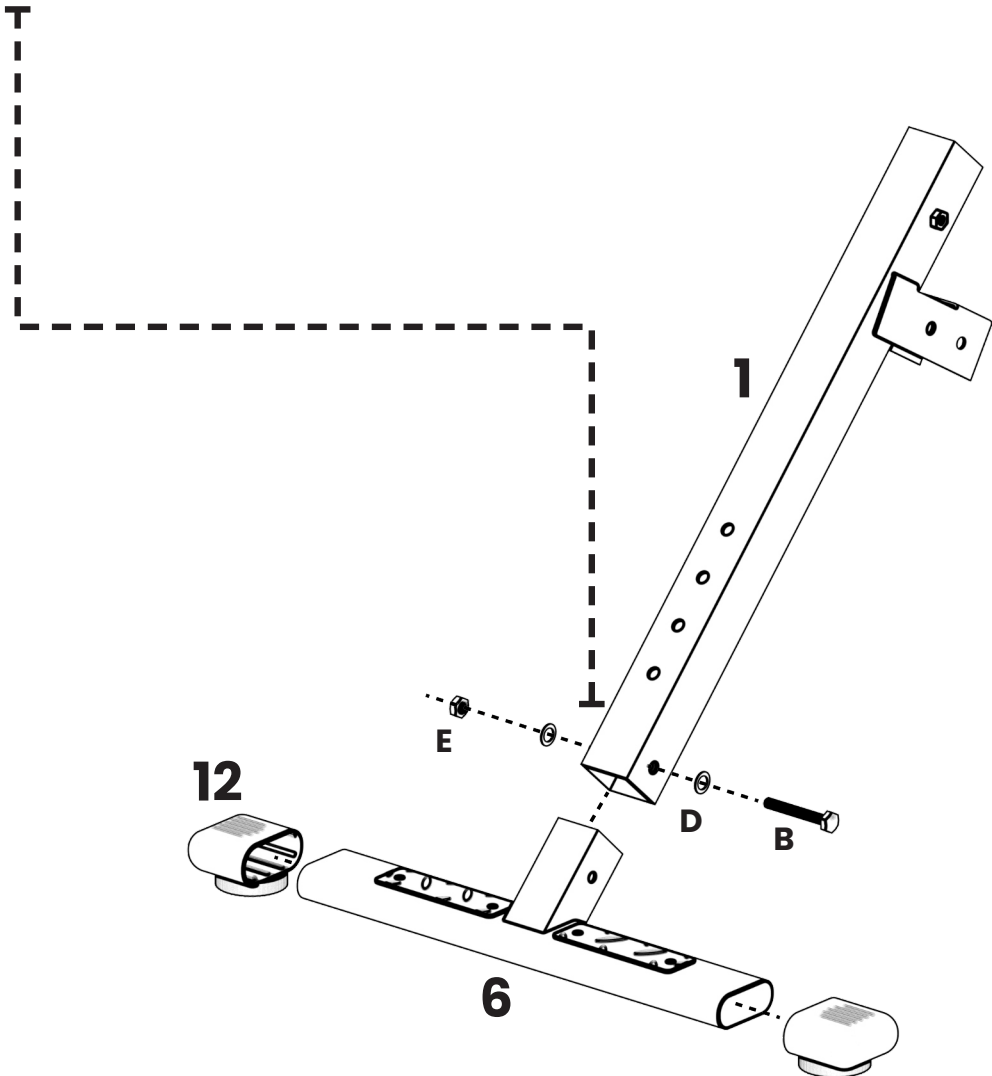
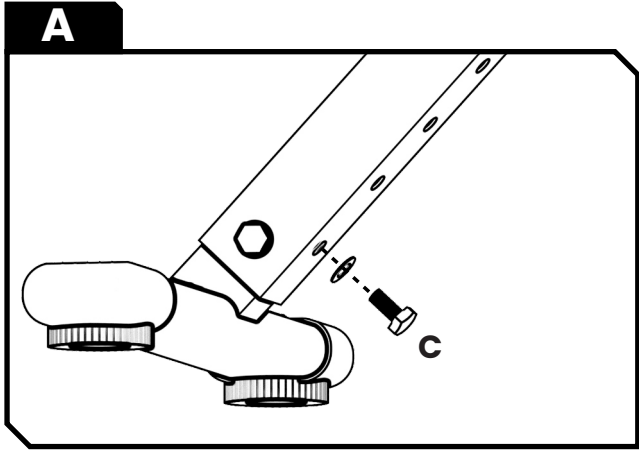


ASSEMBLY

STEP: 1

STEP PART GUIDE

#	PART NAME	QTY
1.	Main Frame	1
6.	Front Stabilizer	1
12.	Rubber Feet	2
B.	M10x65 Bolt	1
C.	M10x20 Bolt	1
D.	M10 Washer	3
E.	M10 Nut	1

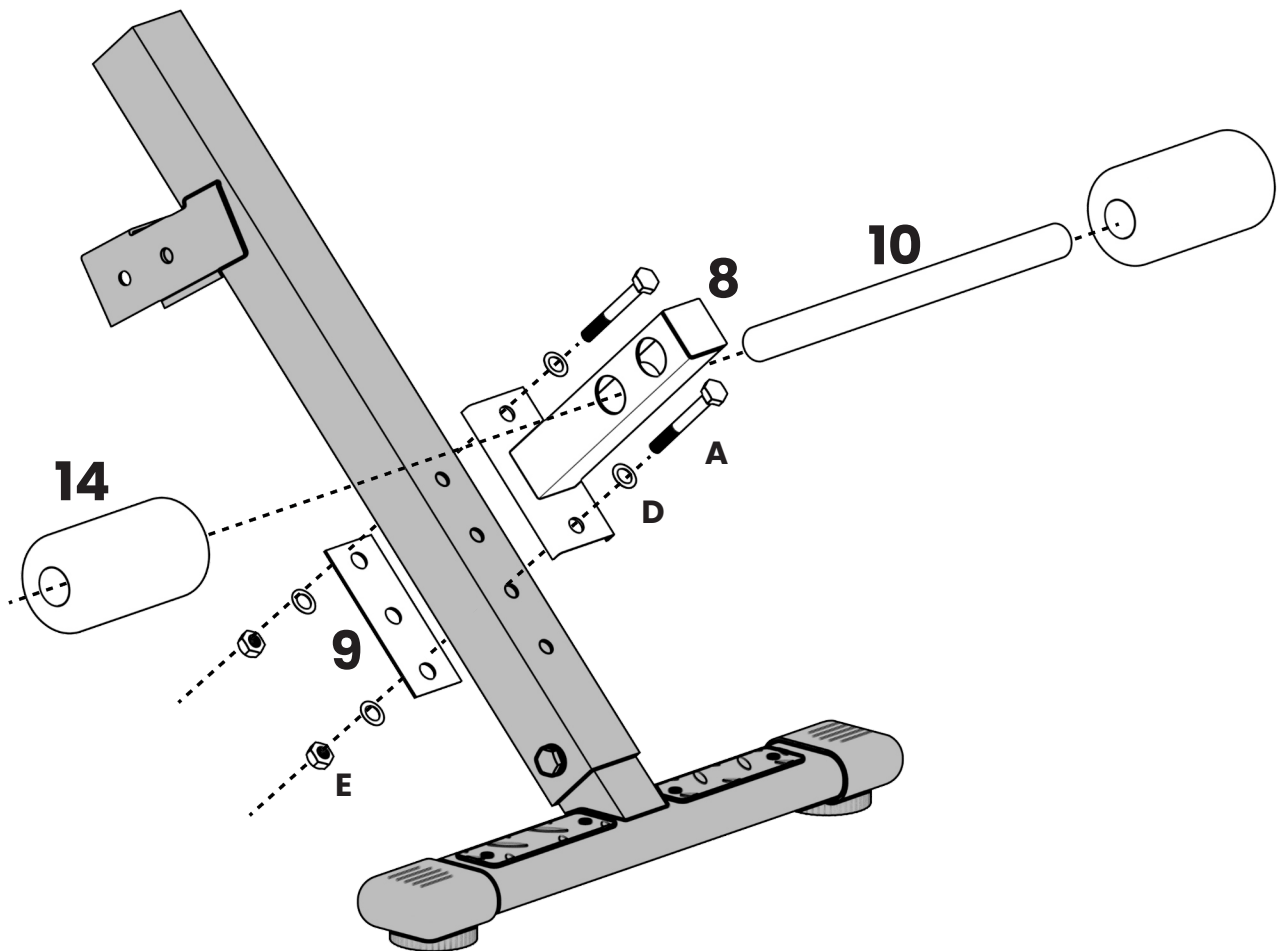


ASSEMBLY

STEP: 2

STEP PART GUIDE

#	PART NAME	QTY
8.	Foot Support Bracket	1
9.	Foot Support Plate Back	1
10.	Leg Roller Beam	1
14.	Foam Feet Cushions	2
A.	M10x70 Bolt	2
D.	M10 Washer	4
E.	M10 Nut	2

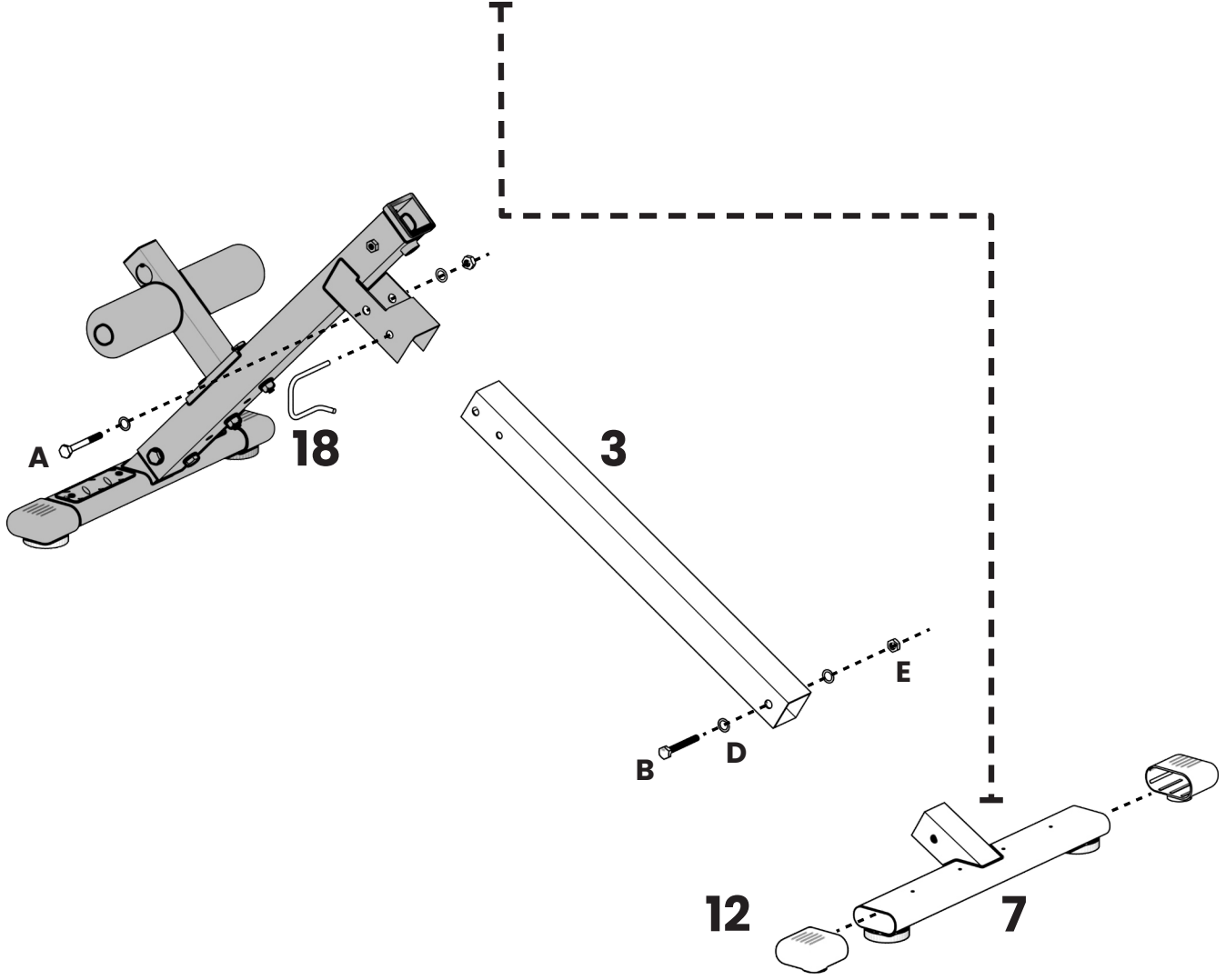
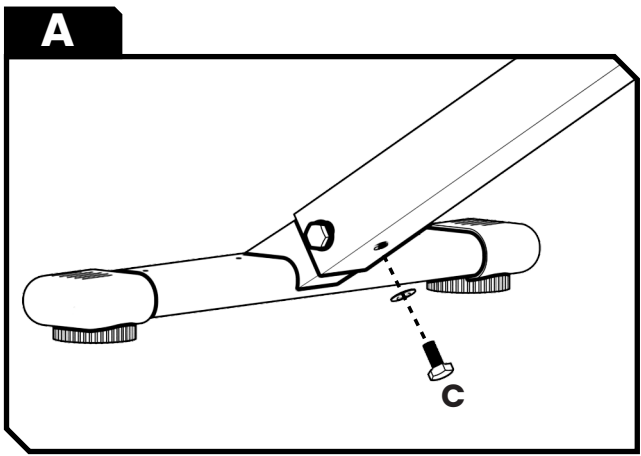


ASSEMBLY

STEP: 3

STEP PART GUIDE

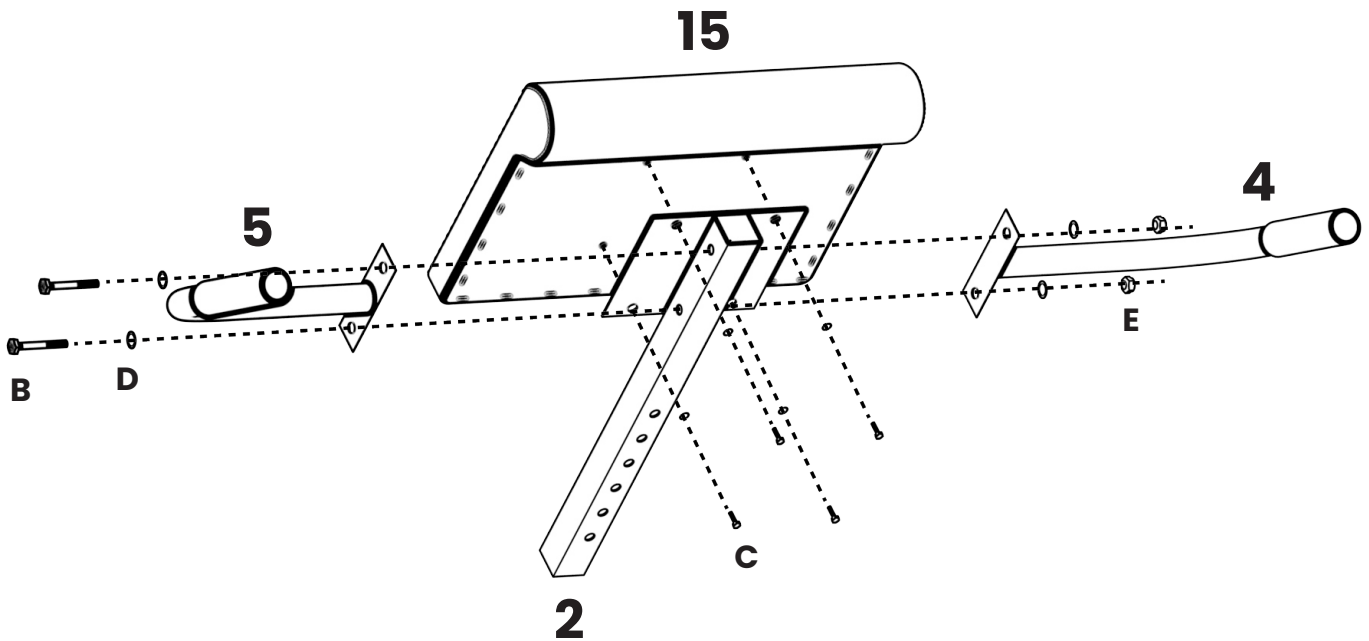
#	PART NAME	QTY
3.	Lower Frame	1
7.	Rear Stabilizer	1
12.	Rubber Feet	1
18.	Locking Pin	1
A.	M10x70 Bolt	1
B.	M10x65 Bolt	1
C.	M10x20 Bolt	1
D.	M10 Washer	5
E.	M10 Nut	2



ASSEMBLY

STEP: 4

STEP PART GUIDE		
#	PART NAME	QTY
2.	Upper Frame	1
4.	Left Handle	1
5.	Right Handle	1
15.	Foam Pad	1
B.	M10x65 Bolt	2
C.	M10x20 Bolt	4
D.	M10 Washer	8
E.	M10 Nut	2



ASSEMBLY
STEP: 5

STEP PART GUIDE

#	PART NAME	QTY
11.	Middle Plastic Support	1
16.	Large Knob	1
17.	Small Knob	1

