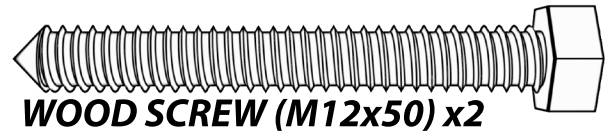
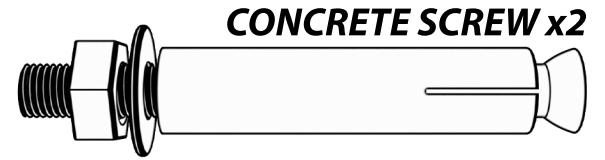
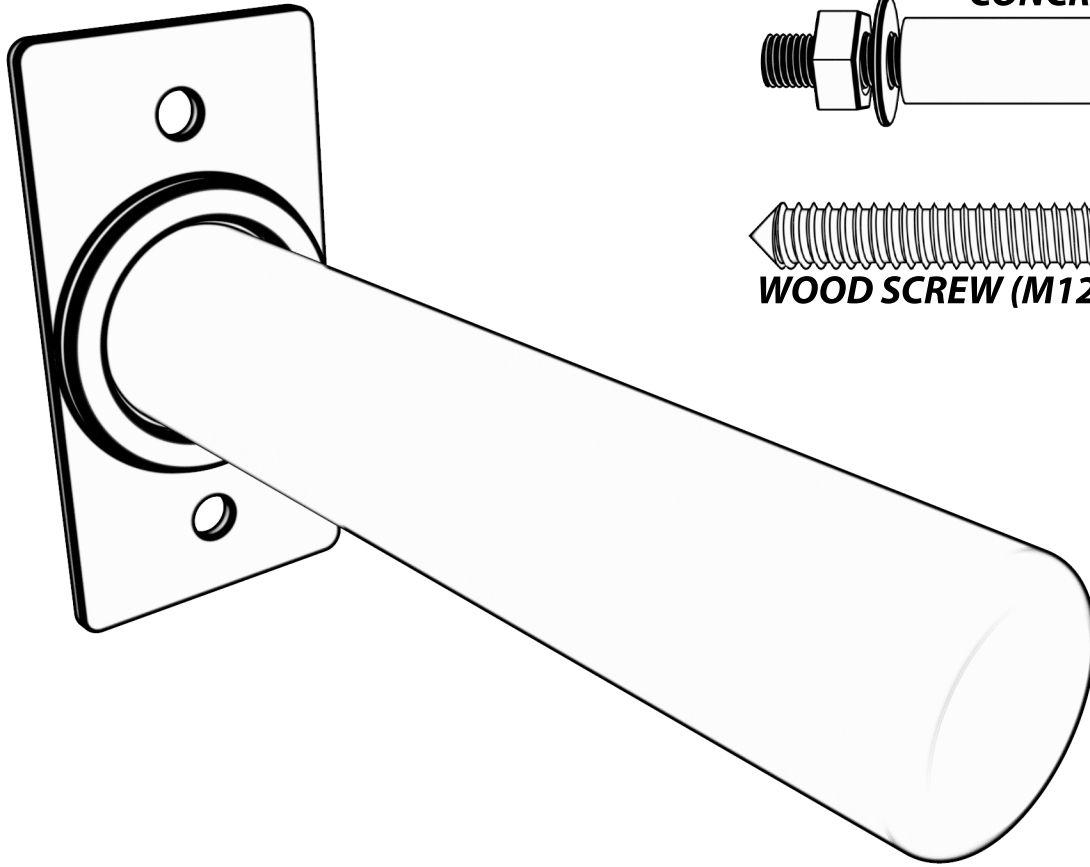
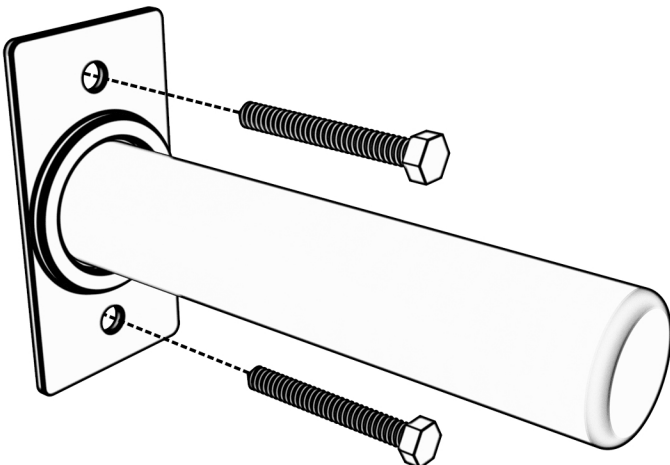


SYNERGEE

WEIGHT PLATE STORAGE PEG

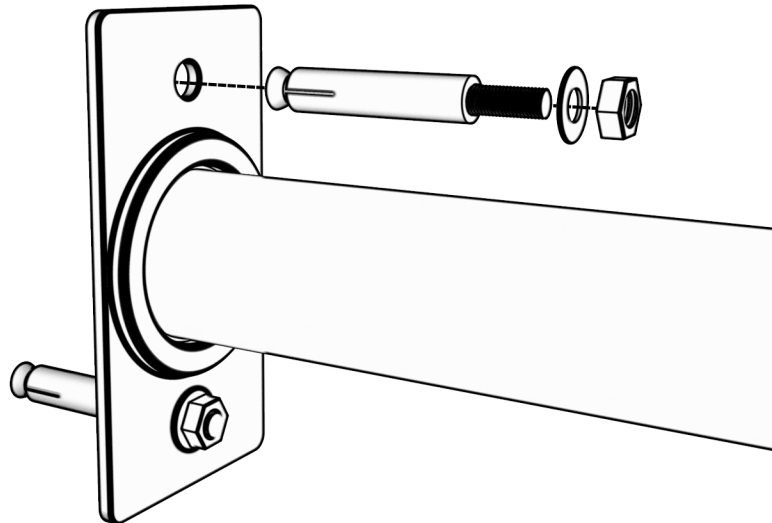


WOOD INSTALLATION



LOCATE WOOD STUD AND FASTEN WOOD SCREWS UNTIL SECURE

CONCRETE INSTALLATION



INSTALL CONCRETE SCREWS INTO PRE-DRILLED HOLES IN CONCRETE AND FASTEN NUTS UNTIL SECURE