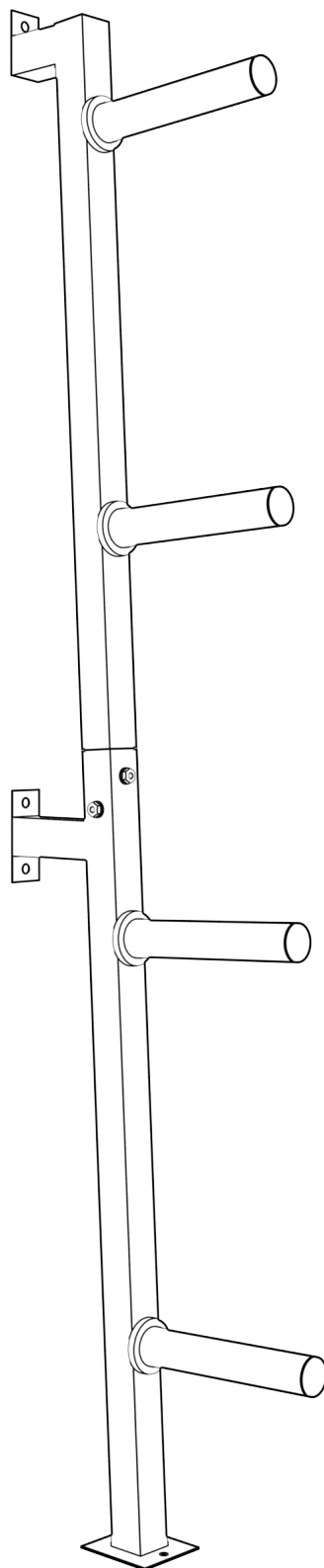


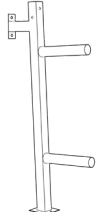
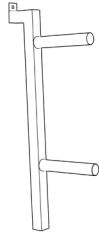
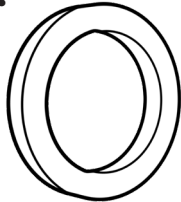
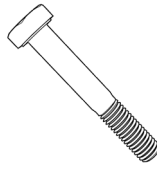
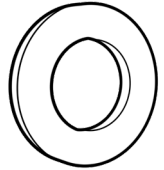
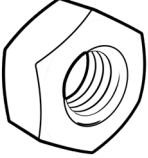
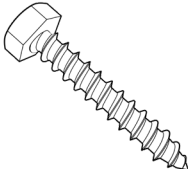

 **SYNERGEE[®]**

WALL MOUNTED PLATE STACKER

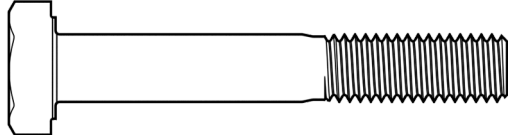
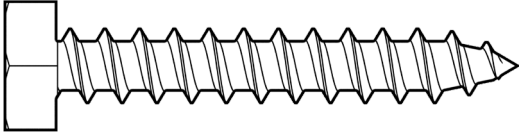
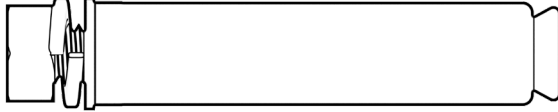


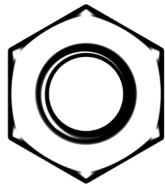
PARTS LIST

IF ANY PIECES ARE MISSING, PLEASE CONTACT US IMMEDIATELY:
HELLO@SYNERGEEFITNESS.COM OR 1.855.217.7136

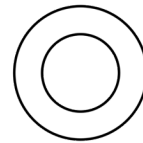
1.  TOP FRAME	QTY x1	2.  BOTTOM FRAME	QTY x1	3.  RUBBER RING	QTY x4	4.  M10x60 PARTIALLY THREADED BOLTS	QTY x2	5.  M10 WASHER	QTY x7
6.  M10 NUT	QTY x2	7.  M10x60 SCREW	QTY x3	8.  M10x70 EXPANSION BOLT	QTY x5				

HARDWARE SIZING CHART

M10x60 BOLT		QTY 2	IN STEPS 1
M10x60 SCREW		QTY 3	IN STEPS 3
M10x70 BOLT		QTY 5	IN STEPS 4



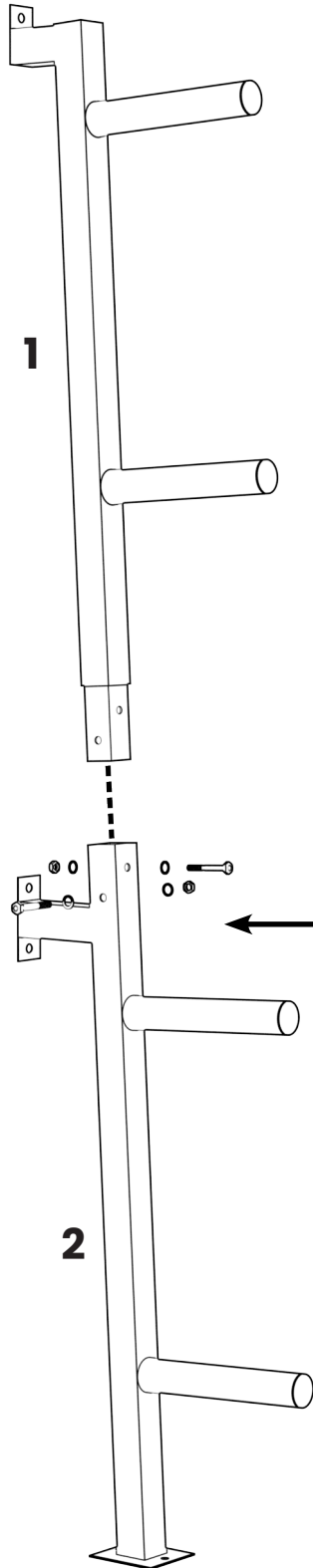
**M10
NUT**



**M10
WASHER**

ASSEMBLY

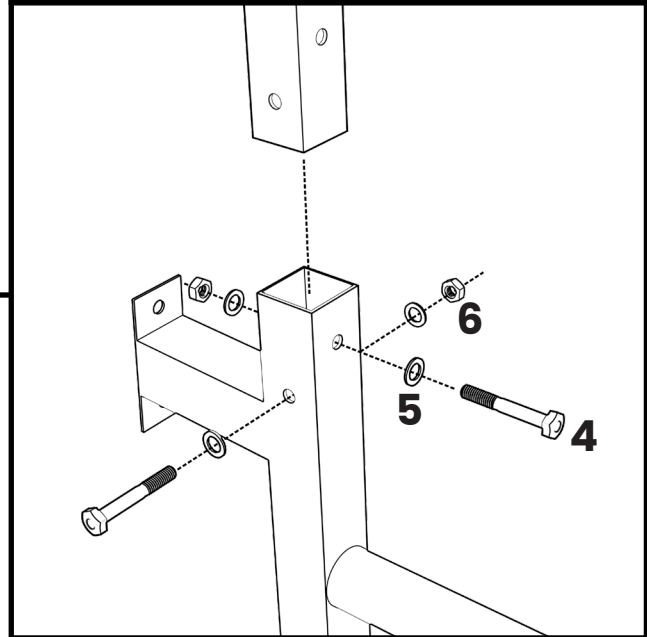
STEP: 1-A



STEP PART GUIDE

#	PART NAME	QTY
1.	TOP FRAME	1
2.	BOTTOM FRAME	1
4.	M10x65 BOLT PARTIALLY THREADED	2
5.	M10 WASHER	4
6.	M10 NUT	2

STEP: 1-B

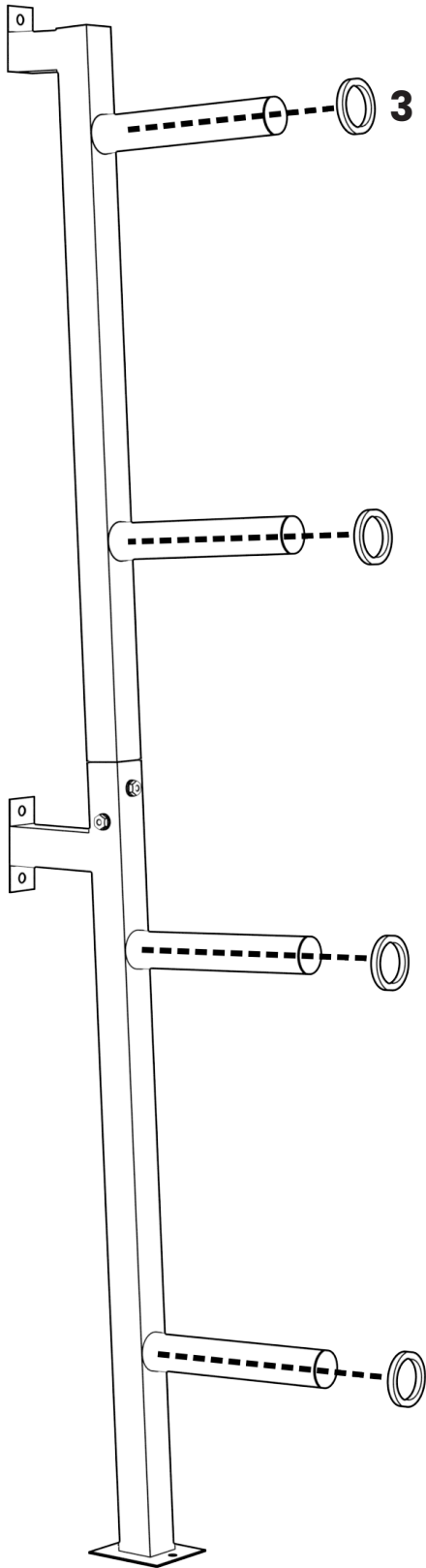


ASSEMBLY

STEP: 2

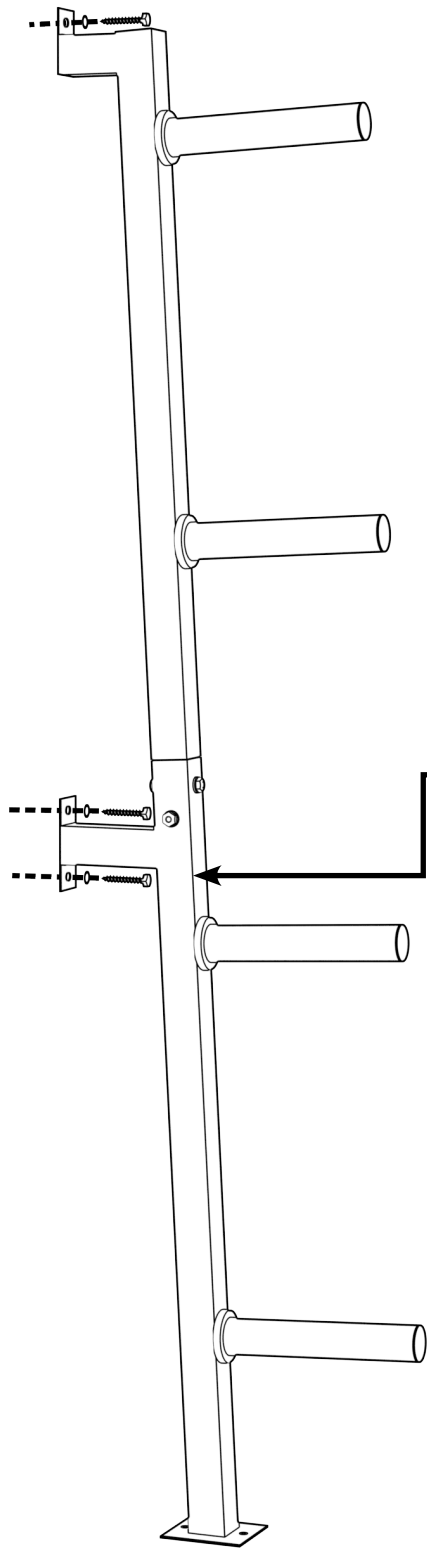
STEP PART GUIDE

#	PART NAME	QTY
3.	RUBBER STOPPER	4



ASSEMBLY

STEP: 3-A



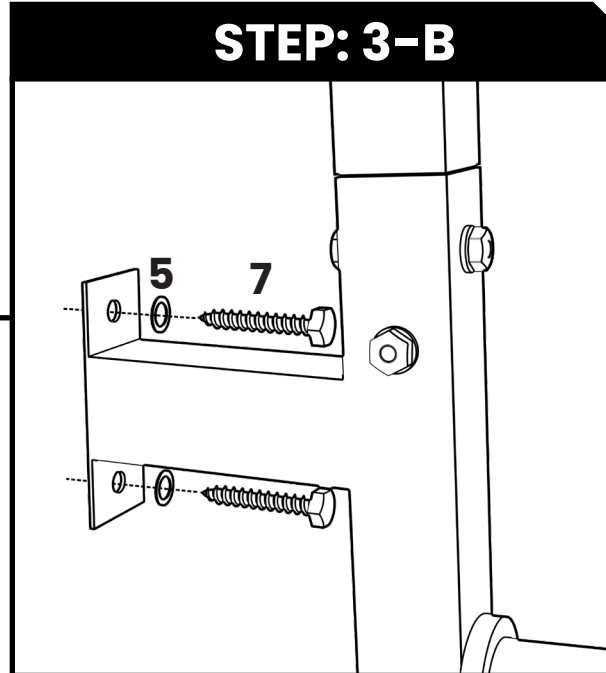
STEP PART GUIDE

#	PART NAME	QTY
7.	M10x60 SCREW	3
5.	M10 BOLT	3



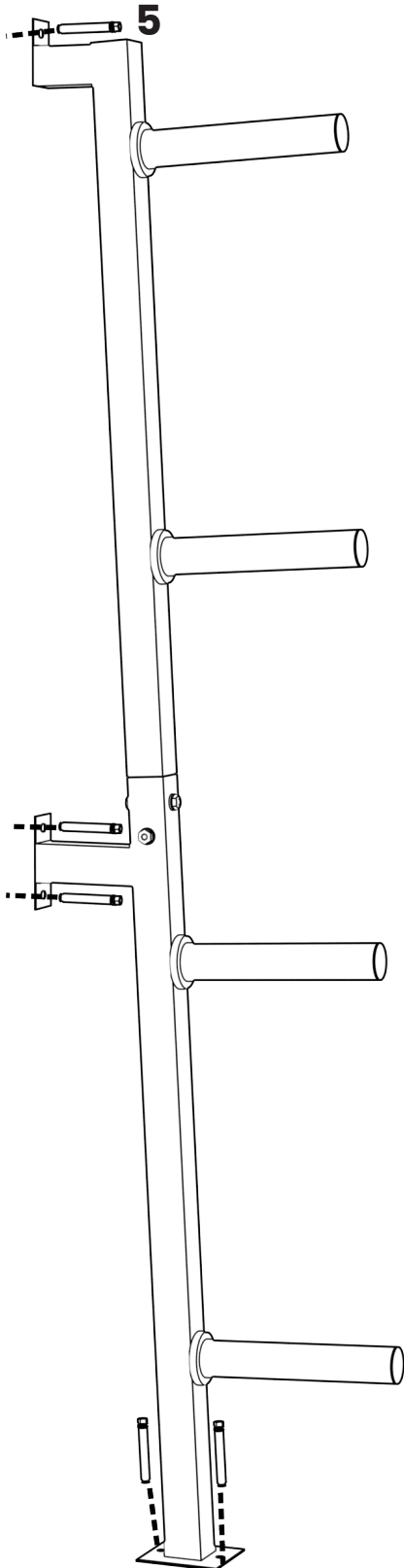
**INSTALLTION
INSTRUCTION FOR A
WOOD SURFACE**

STEP: 3-B



ASSEMBLY

STEP: 4



STEP PART GUIDE

#	PART NAME	QTY
8.	M10x70 EXPANSION BOLT	5



**INSTALLTION
INSTRUCTION FOR A
CONCRETE SURFACE**

